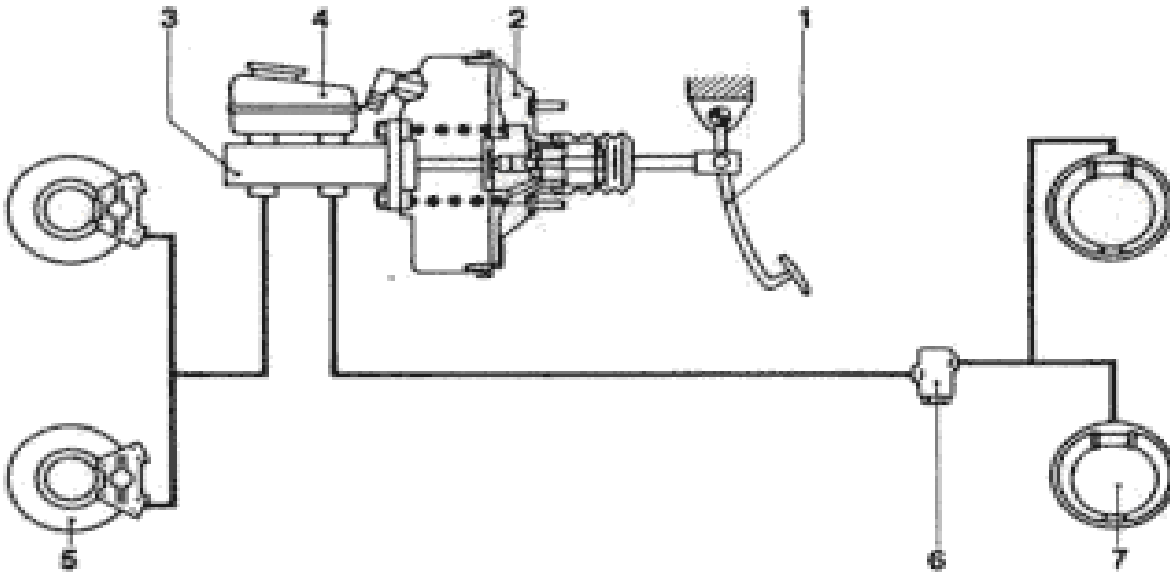


Mechanical Systems

Topic 6 - Combining Systems Practice Quiz

1. Use the illustration, of a hydraulic disc brake system, below to answer the question.



The effort force required to slow the vehicle in this disc brake hydraulic system would be applied at number ...

- 1
- 3
- 5
- 7
2. During the research phase, when a device is improved upon, certain criteria are taken into account. Of the criteria listed below, which would be the least important ...

safety

efficiency

effectiveness

convenience

3. The 'backhoe' is a highly efficient combination of 3 different types of levers and this ...
wheel and axle

pulley

hydraulics

pneumatics

4. When we can identify a simple machine, within a much more complicated machine, the simple machine is called a ...

segment

subsystem

function

prototype

5. The '**boom**' raises and lowers the '**dipper**'. It is a ...

Class 1 lever

Class 2 lever

Class 3 lever

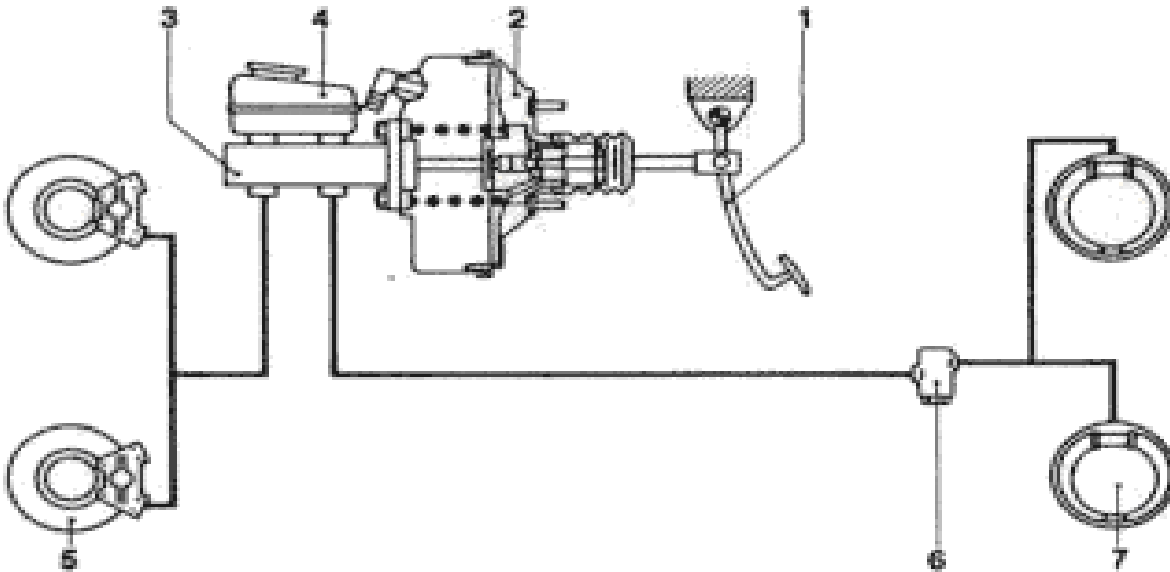
Class 4 lever

Check your
Answers

Mechanical Systems

Topic 6 - Combining Systems Practice Quiz

1. Use the illustration, of a hydraulic disc brake system, below to answer the question.



The effort force required to slow the vehicle in this disc brake hydraulic system would be applied at number ...

- 1
- 3
- 5
- 7
2. During the research phase, when a device is improved upon, certain criteria are taken into account. Of the criteria listed below, which would be the least important ...

safety

efficiency

effectiveness

convenience

3. The 'backhoe' is a highly efficient combination of 3 different types of levers and this ...
wheel and axle

pulley

hydraulics

pneumatics

4. When we can identify a simple machine, within a much more complicated machine, the simple machine is called a ...

segment

subsystem

function

prototype

5. The '**boom**' raises and lowers the '**dipper**'. It is a ...

Class 1 lever

Class 2 lever

Class 3 lever

Class 4 lever